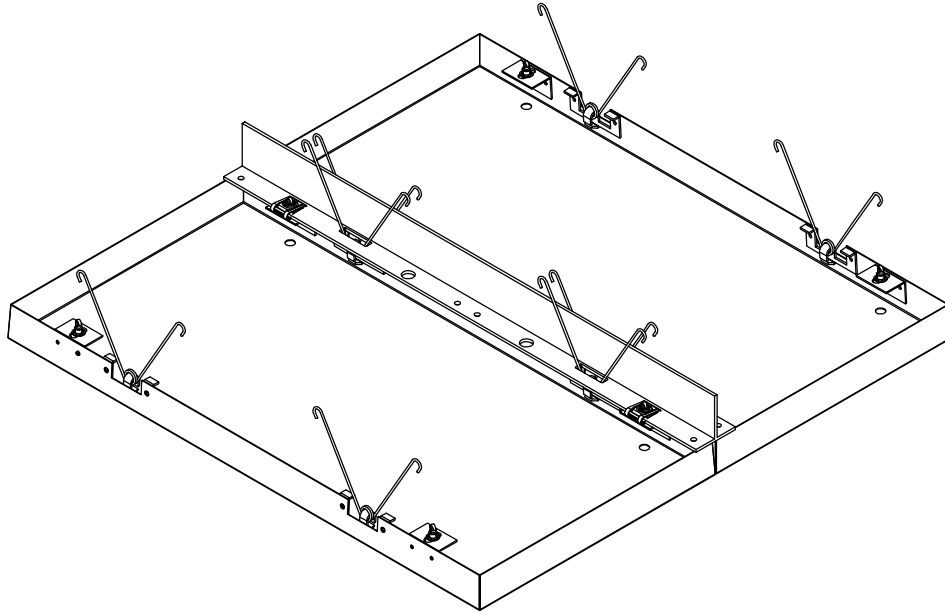


accent[®]

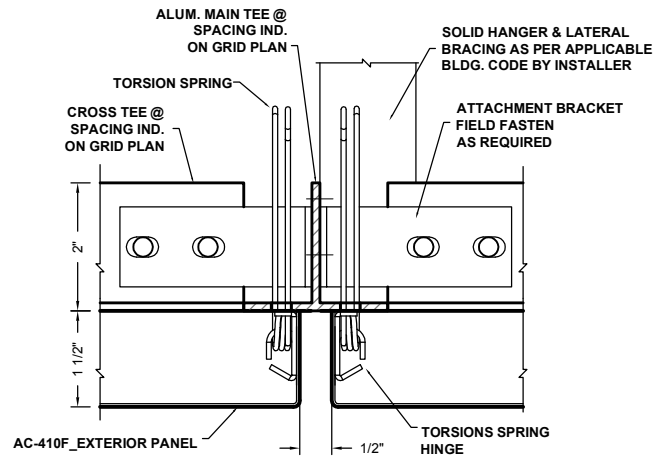
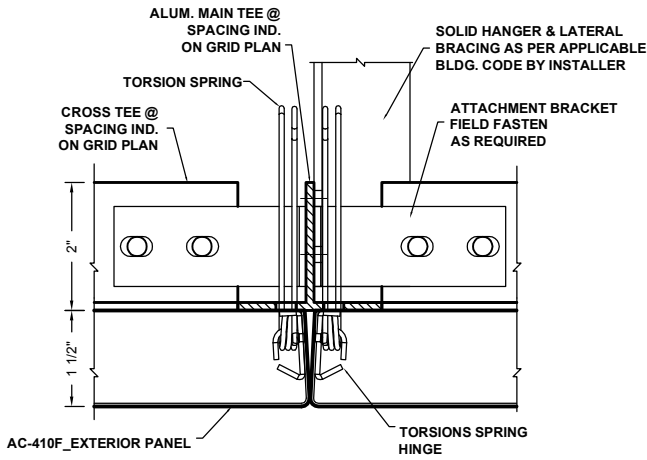
CEILING AND WALLS

A DIVISION OF ADAMS CAMPBELL COMPANY
ISO 9001: 2000 CERTIFIED

TORSION SPRING MOUNTED EXTERIOR CEILING SYSTEM (AC-410F-EXT)

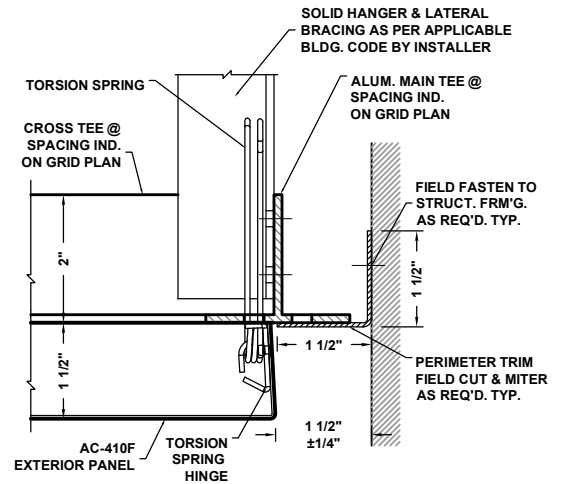
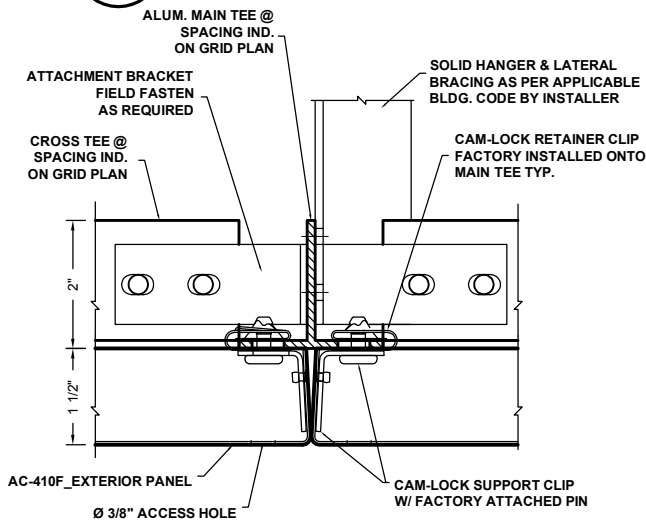


- Description:** Concealed torsion spring mounting system creates a clean monolithic appearance. Butt joint and reveal joints available, Perforated or Non-Perforated
Concealed heavy-duty aluminum extruded tee bar grid system supports each panel and locked with the use of cam-lock attachment clips.
Each individual panel can be removed without disturbing adjacent panels.
- Application:** Ceiling provided for exterior installation. (Also available in a curved application)
- Material:** Panels are available in aluminum, steel or stainless steel.
- Finishes:** Anodized, brushed and bright finish. Painted powder coat colors.
Reference Options tab for available finishes.
- Standard Sizes:** 24" x 24", 24" x 48", 30" x 30", 36" x 36", 36" x 60", 30' x 72", 30" x 96"
and 48" x 48". Custom sized and shaped panels also available.
- Fire Rating:** Class A
- Panel Backer:** Bug screen, flat metal sheet painted black and bagged insulation
- Perforation:** Reference Options Tab for Patterns.
- Recycled content:** Aluminum 60% · Steel 33% · Stainless Steel 69%



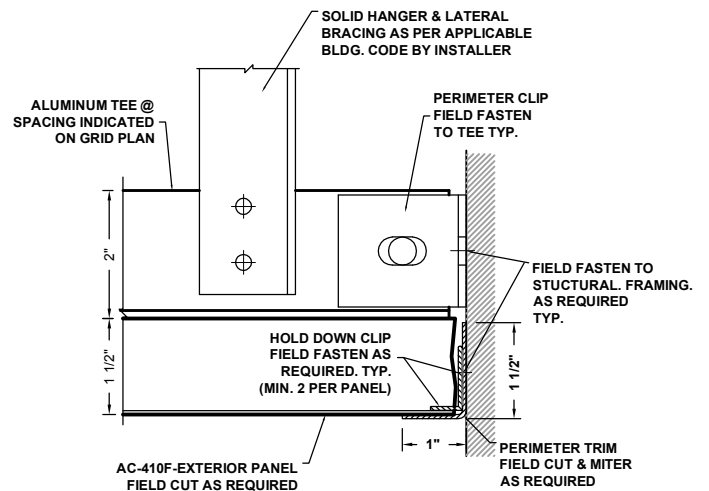
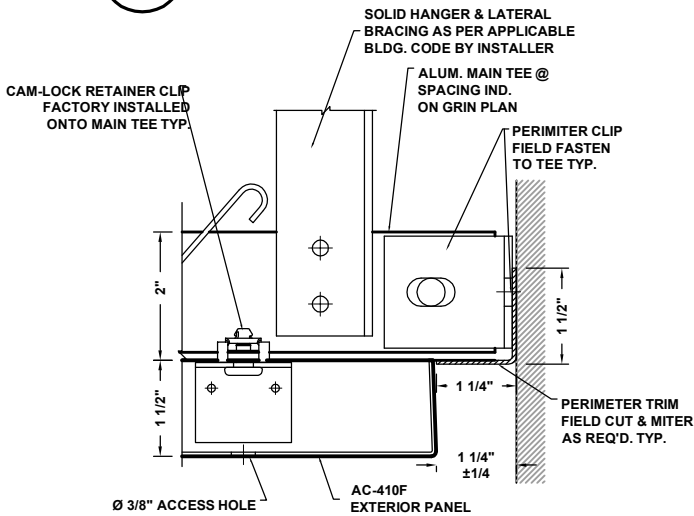
1 PANEL JOINT DETAIL
AC-410F-EXT PJ1

2 PANEL JOINT DETAIL
AC-410F-EXT PJ2



3 CAM-LOC DETAIL
AC-410F-EXT PJ3

4 PERIMETER DETAIL
AC-410F-EXT P1



5 PERIMETER DETAIL
AC-410F-EXT P2

6 PERIMETER DETAIL
AC-410F-EXT PFC1